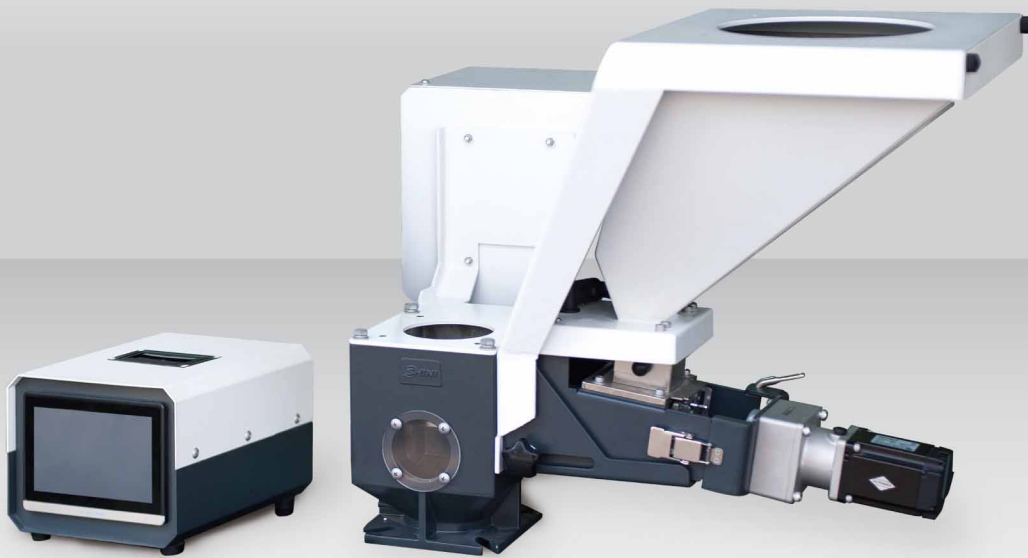


Gravimetric Doser

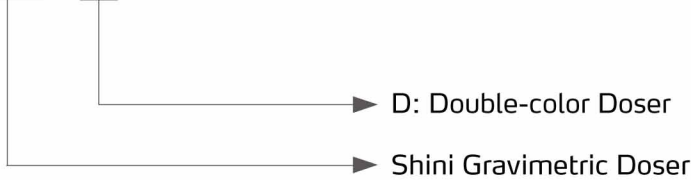
SGD



Refer carefully to this manual before operation.

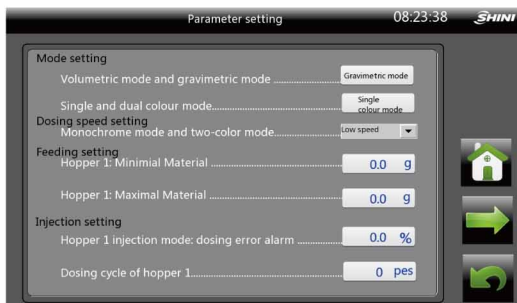
■ Coding Principle

SGD - (D)



■ Features

- Chrome coating dosing screw for extended durability.
- Servo motor to ensure fast response, smooth feeding, and precision dosing.
- Modular design for easy to disassemble, easy to clean, and replace.
- Material purge cleaning for easy replacement of masterbatch.
- Uninterrupted by power failure, and resume operation after power recovery.
- The unit is data communication ready via ethernet Modbus TCP.
- Support data export function to check production status.
- Dosing control through loss-it-weight technology for satisfying high dosing precision needs.



Parameter Setting Mode

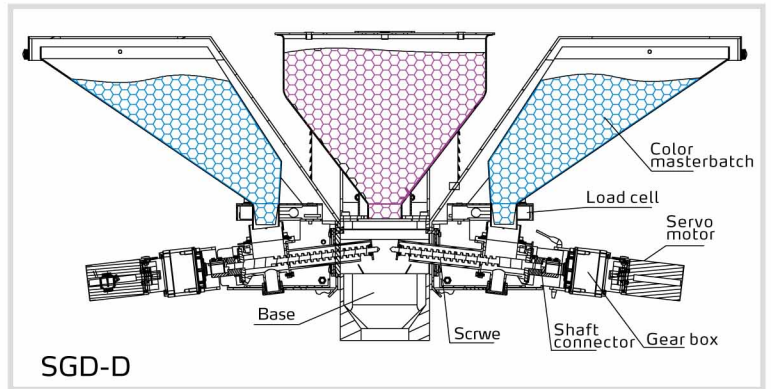
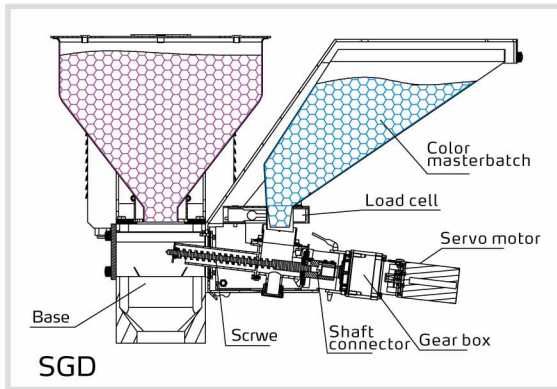


Recipe Edit Menu

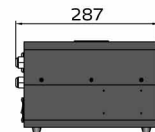
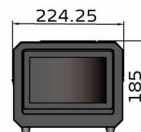
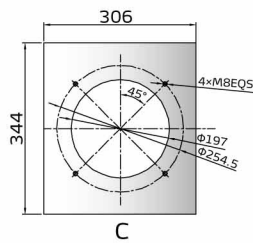
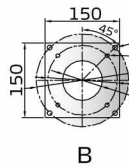
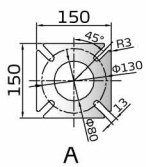
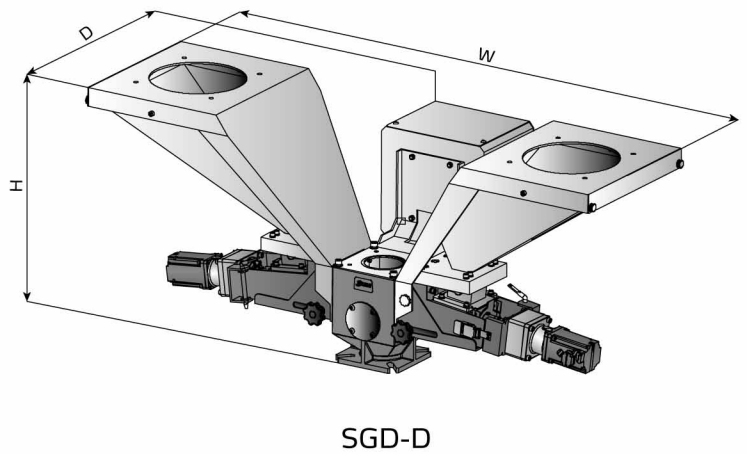
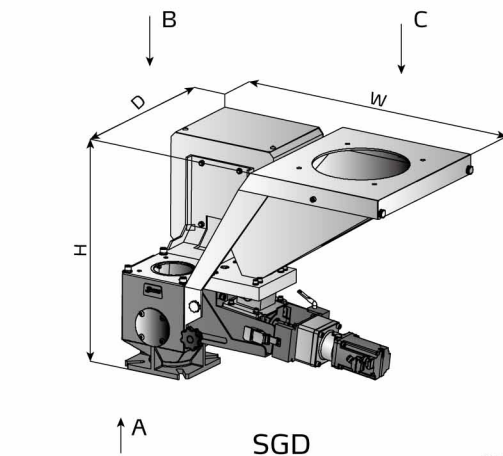
■ Application

The servo-driven SGD series gravimetric doser is controlled by PLC. It is suitable for injection moulding and extrusion occasions, which require a precision dosing ratio with masterbatch, additive, virgin, or regrind. SGD can work with the VL - Venturi Loader to realize the auto conveying of the masterbatch to the dosing unit. The unit is also available in dual doser.

Working Principle



Outline Drawings



Control box

SGD Series

Specifications

Model	SGD	SGD-D
Motor Power (kW)	0.4	0.4 × 2
Screw External Dia.(mm)	16	16
Output Capacity (kg/hr)	0.1~32	0.1~64
Storage Hopper (L)	10	10
Dimensions	H(mm)	510
	W(mm)	720
	D(mm)	536
Weight(kg)	37	56

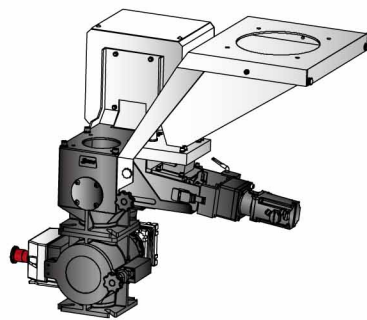
Notes:1) The outputs of the above models are measured under the conditions of 1.0 kg/L bulk density and masterbatch in diameter of 2-3mm in continuous operation. Actual output capacity may vary due to bulk density, flow ability, granule size, and recipe ratio.

2) When the master batch hopper is mounted with the auto conveying device, the total weight of the hopper shall not exceed 25KG (including the master batch).

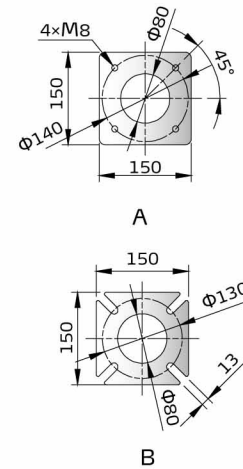
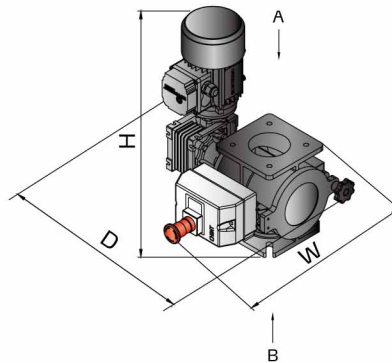
3) Power : 1Φ, 230VAC, 50Hz.

Accessories

- Mixer CMB-1 enhances the mixing uniformity



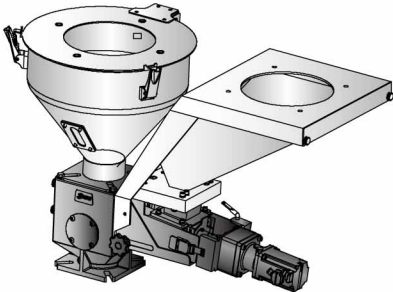
Optional blender



Model	Motor Power (kW)	H(mm)	W(mm)	D(mm)	Weight(kg)
CMB-1	0.25	364	347	371	16

Power :3Φ, 400VAC, 50Hz

- The collective hopper SCH-12U is the main material hopper, makes easy for users to add the main material.



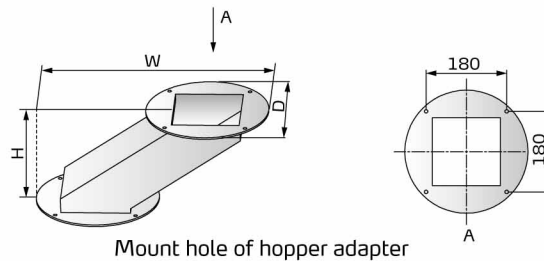
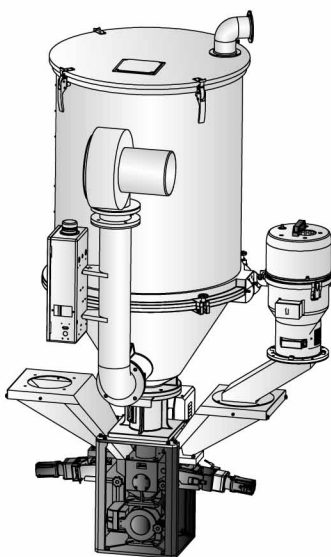
- Heavy base (Used with SHE-E/SEHD-75~300 or SHD-160U~SHD-450U)



Model	H(mm)	D(mm)	W(mm)	Weight(kg)
HB-1	332	374	374	21
HB-2	527	374	374	25

Notes: When collocating with standard SGD, the model is HB-1.
When collocating with standard SCM+CMB-1, the model is HB-2.

- Work with a large drying hopper with a heavy base and auto conveying.



Model	H(mm)	D(mm)	W(mm)	Weight(kg)
HTB	225	275	525	5.2



سازنده ماشین تزریق پلاستیک

تهران، خیابان دماوند، بلوار اتحاد، نبش خیابان چهارم غربی، شماره ۱
تلفن : ۰۱۳ ۷۷۳۳۲۰۱۳ (+۹۸۲۱) فاکس: ۷۷۳۳۲۲۵۴ (+۹۸۲۱)
کد پستی : ۱۶۵۸۶۹۵۳۱۱

No.1, 4th west st., Ettehad Blvd., Damavand Ave., Tehran, Iran

Fax : (+9821)77332254 Tel : (+9821)77332013

Mobile : (+98) 912 0713928

Zip code : 1658695311

www.arasmachine.co

info@arasmachine.co

